

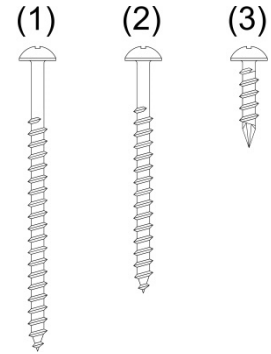
INSTALLATION INSTRUCTION

XX - Patio Door – Kit Form (KF)

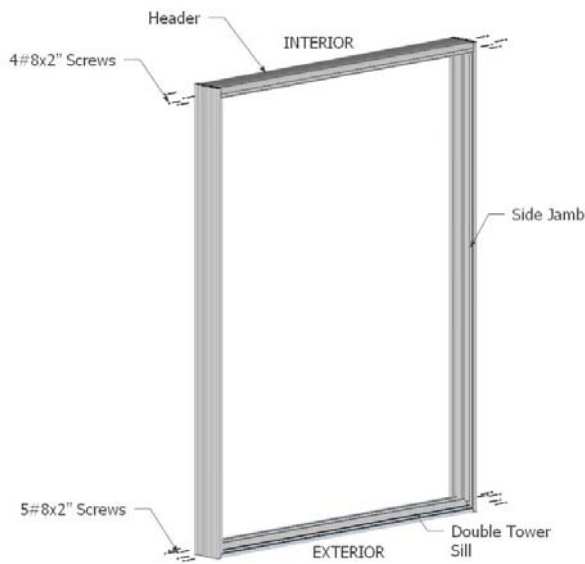
We recommend that you read through these step-by-step instructions before you start. Failure to follow installation instruction voids all existing implied warranties.

STEP-1: OPEN PACKAGING AND CHECK THE FOLLOWING PARTS

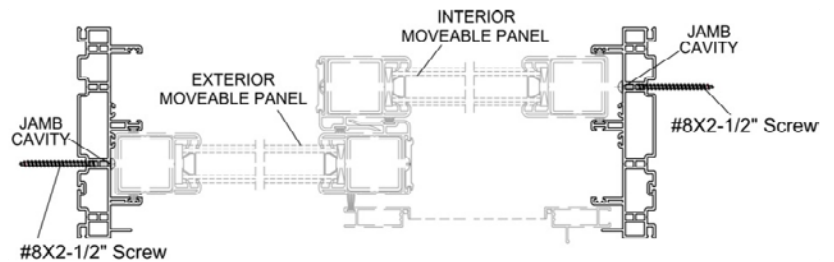
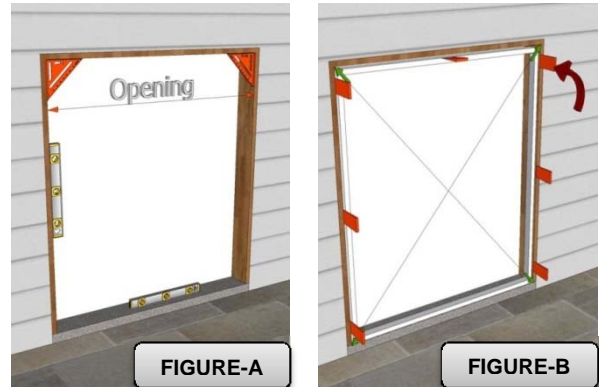
- 2 Door Panels
- 1 Screen Door (double handle & lock)
- 1 box of frame containing the following items:
 - 2 Jambs
 - 1 Anti-lift.
 - 1 Header
 - 4 Rollers
 - 2 Set of Door Handle Kit
 - 1 Sill with Double Tower
 - 1 Sill Dust Pad and 1 Screen Dust Pad
 - 1 package of screws:
 1. No.8x2-1/2" Jambs & Anti lift installation screws (16 pcs)
 2. No.8x2" Frame assembly screws (20 pcs)
 3. No.8x5/8" Rollers to bottom sash screws (8 pcs)



STEP-2: PATIO DOOR FRAME ASSEMBLY



STEP-3: INSTALL FRAME TO THE OPENING



Make sure that the Sill is leveled and the Frame is square on both directions. Secure the patio door frame using 4 #8x2" screws on each top corner & 5 #8x2" on each bottom corner.

FIGURE-C

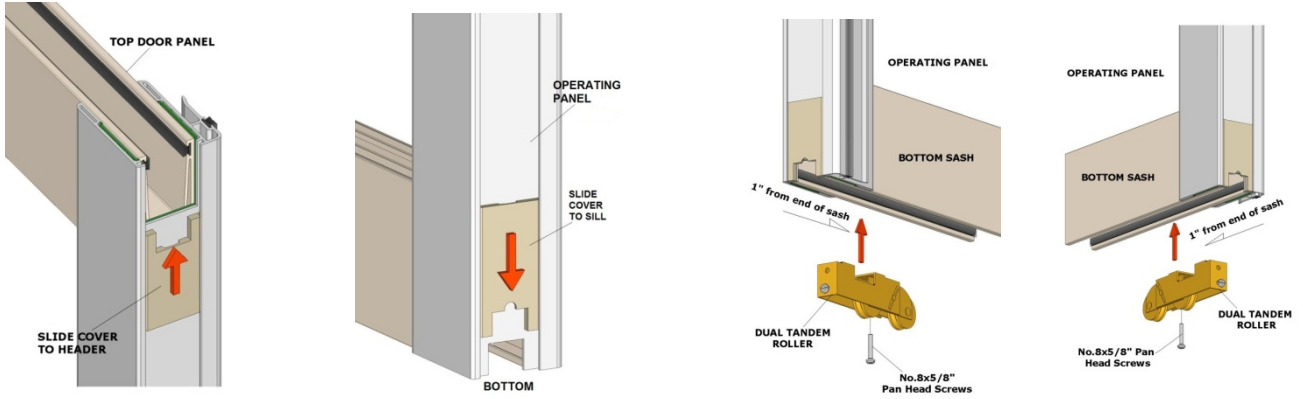
1. Make sure the door frame will fit into the Opening and check the opening for square (Figure-A). Allow min. 1/4" clearance between jambs, header and rough opening. The performance of this door will be affected if the opening is too small or too large.
2. Apply a continuous bead of exterior grade caulking compound along entire length of the bottom part of the sill.
3. Sit the door frame in opening, Sill first. Make sure the caulking compound makes a perfect seal between the door sill and the floor. Ensure the sill is leveled and both jambs are plumb.
4. Shim the frame as shown. Once the frame is centered in the opening, start to put shims at the top of the jambs (Figure B). Secure the frame with No 8x2-1/2" screw at the jamb cavity line (Figure-C), and make sure there is a shim behind the jamb. Measure the diagonals to ensure the door frame is square. Complete shimming of the jambs. Make sure that a shim is placed behind the door lock (being careful not to twist the jamb) for extra support when closing or locking the door.

NOTE: Do not over-shim as it will cause the unit to bend and jeopardize performance of the door.

1. Make sure the door frame will fit into the opening and check the opening for square (Figure-A).

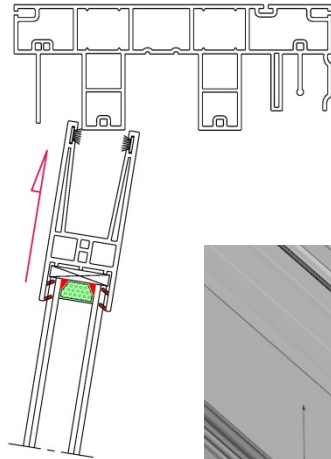
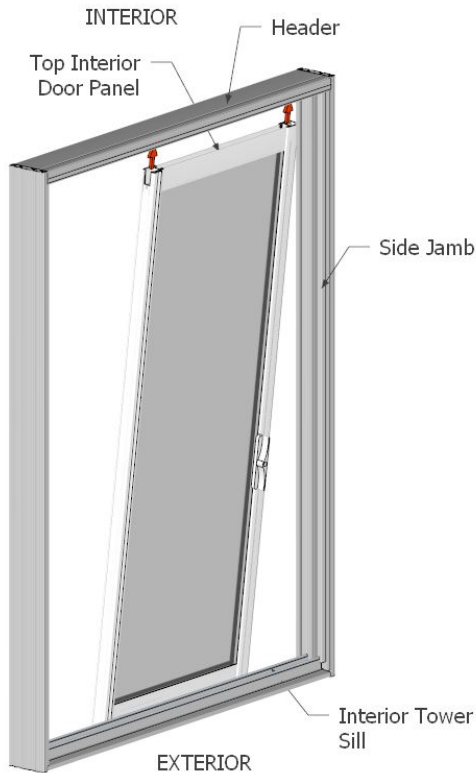
STEP-4: DOOR PANELS PREPARATION

Slide bottom and top covers on both door panels to cover the screw holes

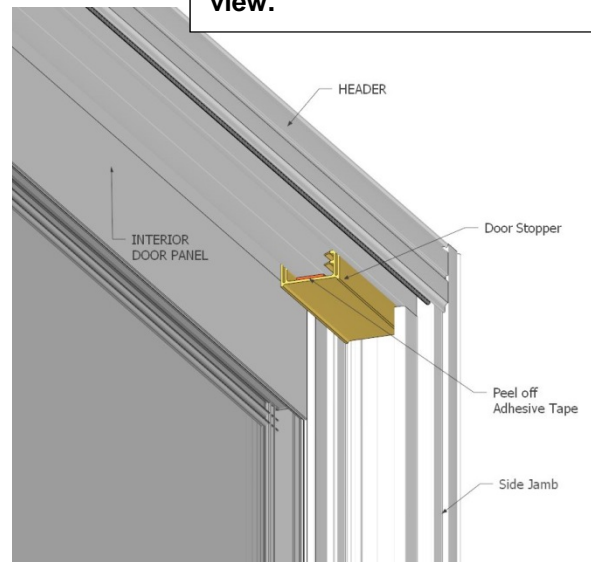


Fasten Dual Tandem Rollers into bottom rail sash (operating panel only). Use No.8x5/8" pan head screw provided. Make sure to fasten rollers 1 (one) inch from ends of bottom sash.

STEP-5: INSTALLATION OF INTERIOR PANEL



Install Interior Moving Panel by inserting Top Panel over inside track of Header and Bottom Panel over Interior Tower Sill. **Interior Panel located on the right hand side from exterior view.**

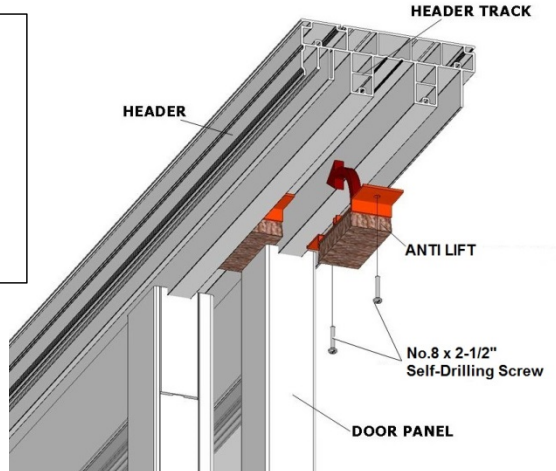
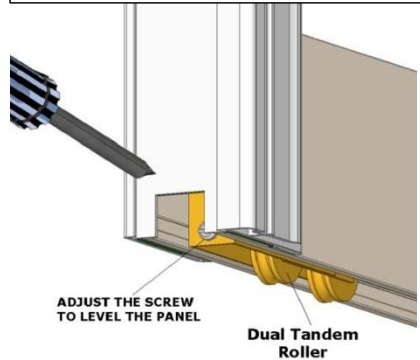


1. Ensure that the Interior Moving Panel is plumb.
2. Secure the Interior Moving Panel by adjusting the rollers.
3. Insert the stopper on the opposite side by peeling the adhesive tape off.

STEP-6: INSTALLATION OF EXTERIOR PANEL



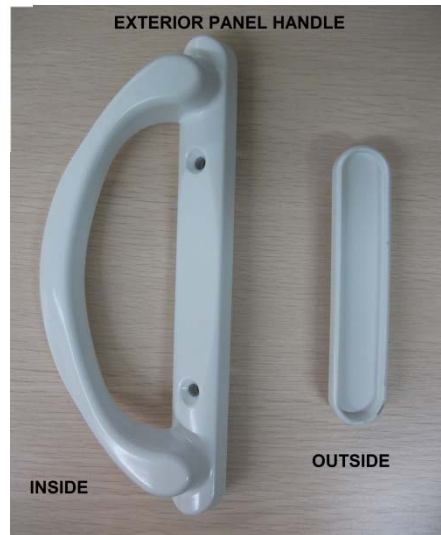
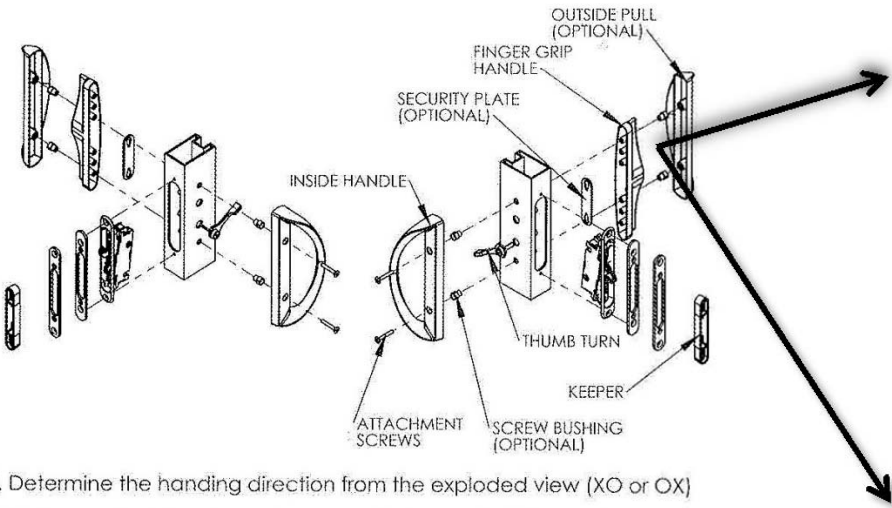
Install Exterior Panel by inserting Top Panel over outside track of the Header. Adjust the Rollers to level the Door Panel. **Exterior Panel located on the left hand side from exterior view.** Make sure both door panels are plumb and interlocking.



Slide Anti Lift between 2 Door Panels and secured with 2 No. 8x2-1/2" Self-drilling screws to the Header.

STEP-7: INSTALLATION OF HANDLE

Single Point Latch Installation Instruction

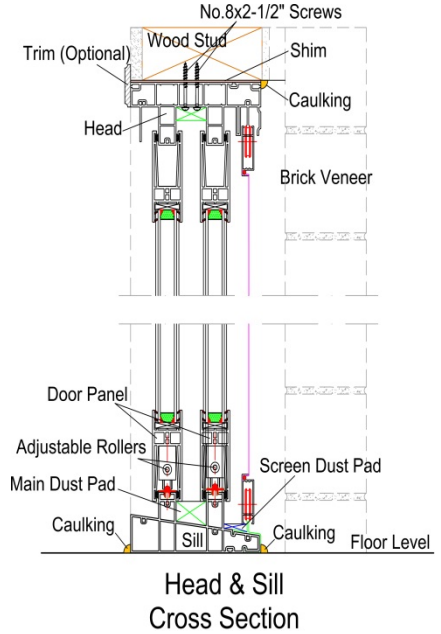


1. Determine the handing direction from the exploded view (XO or OX)
2. Make sure that the door rollers are adjusted so that the moving panel is square with the jamb.
3. Secure the lock in the door stile with the provided screws.
4. Insert the thumb turn lever into the hub of the mortise lock, as shown.
5. Insert screw bushings onto the handles (if supplied).
6. Place the inside Handle against the door while holding the thumb turn into the slotted hub of the mortise lock. Align the mounting holes of the Outside Pull with the inside handle and install the provided screws.
7. Install the keeper on the jamb with the provided screws. Adjust the keeper for maximum engagement with the lock.
8. Close the door, operate the lock, and check that it latches properly. If necessary, adjust the play by turning the Adjustment Screw just above the lock hook -- CW to extend, CCW to retract.

STEP-8: INSTALLATION OF SCREEN



Peel the Dust Pad sticker and attach it between Screen Track and Exterior Sill Tower.
 Install Screen Panel by inserting Loaded Rollers of Top Panel of the Screen into Header Screen Track.
 Insert spring loaded Rollers of bottom panel onto Aluminum Screen Track.
 Insulate gaps with low expand foam and trim the shims. Be careful not to bend the door frame while insulating. Caulk and finish the exterior of door to ensure the water tightness between rough opening and door frame.



Safety:

1. Do not work alone. Two or more people are required. Use safe lifting techniques.
2. Use caution when handling glass. Broken or crack glass can cause serious injury.
3. Wear protective gear (e.g. safety glass, gloves, etc.).

Maintenance:

1. Do not paint the vinyl and, or the hardware. It will void the warranty.
2. Never use solvent-based sealants on vinyl products.
3. Clean Vinyl with a cloth and mild soap.

Good to know the relative humidity for your comfort and prevent condensation

Relative Humidity

When the outside temperature is:	Condensation will occur on the inner glass surface when the interior relative humidity is near or beyond:	
Celsius (Fahrenheit)	Double Glazed Relative Humidity (%)	Triple Glazed Relative Humidity (%)
-23 (-12)	25	48
-18 (0)	25	53
-12 (10)	30	63
-7 (20)	35	67
-1 (30)	40	72