



# PVC FENCING SYSTEM PROFILES

Boundaries Without Boundaries

**SKYREACH**  
Skyreach L&S Extrusions Corp.

Better. In so many ways!



# FENCING SYSTEM OPTIONS

## PRIVACY FENCING

Enhance the appearance of your property while adding privacy and security. These updated versions of traditional privacy fencing blends elegance with function. All profiles are made with 100% Virgin PVC powder compound — formulated to surpass AAMA requirements.



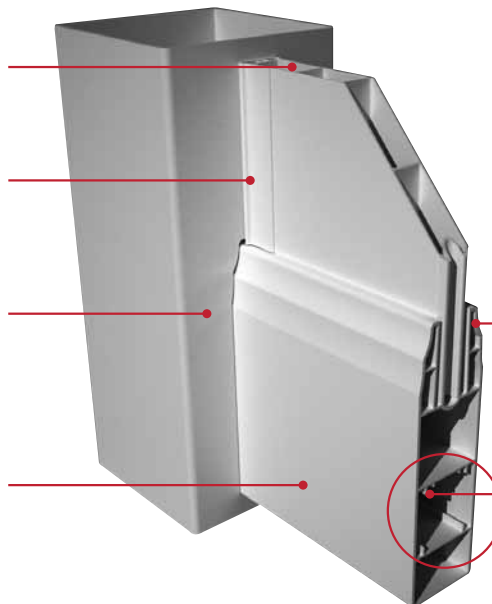
## PRIVACY FENCING ANATOMY

7/8" x 6" Tongue and groove pickets interlock to create a strong joint to withstand the test of time.

End spacer cap ensures no gap where tongue and groove pickets meet the post. The unique shape design prevents the end cap from falling into the rail channel.

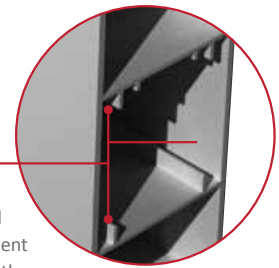
Rail locking tabs hold rails securely into the precisely routed post via a computer controlled routing machine. No use of screws to rust, weaken or become loose over time.

2" x 7" TruLine Privacy Rail provides the perfect blend of elegance, strength and performance.



2" Deep pocket allows the picket to penetrate and overlap which provides greater strength and less chance for tongue and groove pickets to come out. At the same time, it allows greater racking and sloping ability of the fence section panel for a perfect installation.

Bottom rail reinforcement options, with added internal tabs to accommodate bottom rail reinforcement sections. The result is added support and rigidity.



# Keeping the Boundaries

## SEMI-PRIVATE FENCING

Skyreach semi-private fencing is perfect for keeping your pets in an enclosed area without completely blocking the view from either side. Keep pets safe and enclosed while maintaining reasonable privacy.

Semi-private fencing will complement your landscaping efforts while allowing for optimum air flow. This fencing style wears extremely well in areas that are prone to windier conditions, due to this same air flow characteristic.



**3" Semi-Privacy**  
Rails: 1-1/2" x 5-1/2" top and bottom rail (reinforced)  
2" x 3-1/2" mid rail (on 6' height only)  
Pickets: 7/8" x 3" pickets  
Picket space = 1/2"



**Board on Board**  
Rails: 4" x 4" top and bottom rail  
2" x 3-1/2" mid rail (on 6' height only)  
Pickets: 7/8" x 6" pickets

## PICKET STYLE FENCING



Popular since America's earliest colonial era, the picket fence is still a favourite. They are a decorative way to contain pets and children without blocking views, and are used around both front and back yards.

## RANCH STYLE FENCING: A SAFE BUSINESS INVESTMENT

**2-Rail Ranch**



**3-Rail Ranch**



**4-Rail Ranch**



Keep your livestock safe as you protect your agricultural endeavours. Busy farm and ranch owners will appreciate the ease of care and lifespan of this product for areas with expansive fencing. This investment will offer a return from the day it's installed.

The Ranch style fence is perfectly suited for farms or large country lots. Affordable, durable and attractive, vinyl rail fencing outperforms wood fencing by withstanding extreme weather conditions.



SKYREACH L&S Extrusions Corp. ("Skyreach") is a premier supplier of extruded PVC profiles for windows, patio doors and fences. With broad product offerings of window, patio door and fence systems, a fabricator can simply choose one or more systems suitable for its needs. Full support in supply chain, engineering and fabrication tooling is available.



AVAILABLE STANDARD FENCING PROFILES

	5"x5" Utility Post		7/8"x3" Utility Pickets		2"x8" Deco Rail
	4"x4" Utility Post		7/8"x1-1/2" Standard Pickets		2"x7" Plain Rail
	2"x6" Ribbed Rail		7/8"x6" Ribbed Standard		U-Spreader
	1-1/2"x5-1/2" Ribbed Rail		7/8"x6" T&G Utility		Steel Reinforcement
	2"x3-1/2" Hollow Utility Rail		3-1/2" T-Rail		Aluminum Reinforcement
	1-1/2" x 1-1/2" Standard Pickets		2"x7" Deco Rail		

CUSTOM EXTRUSIONS

Skyreach understands your unique design requirements and your desire to stand out among your competitors. We will support your custom design needs from concept to completion. Our design and engineering team is available to collaborate with your internal team to ensure quick turnaround.



**SKYREACH**  
Skyreach L&S Extrusions Corp.

[www.skyreachls.com](http://www.skyreachls.com)

Canadian Headquarters:  
55 Freshway Dr.  
Vaughan, ON L4K 1S1  
1-866-903-8800

USA Headquarters:  
9281 Pittsburgh Avenue  
Rancho Cucamonga, CA 91730  
1-844-237-7188